

# PRORIL

50 Hz

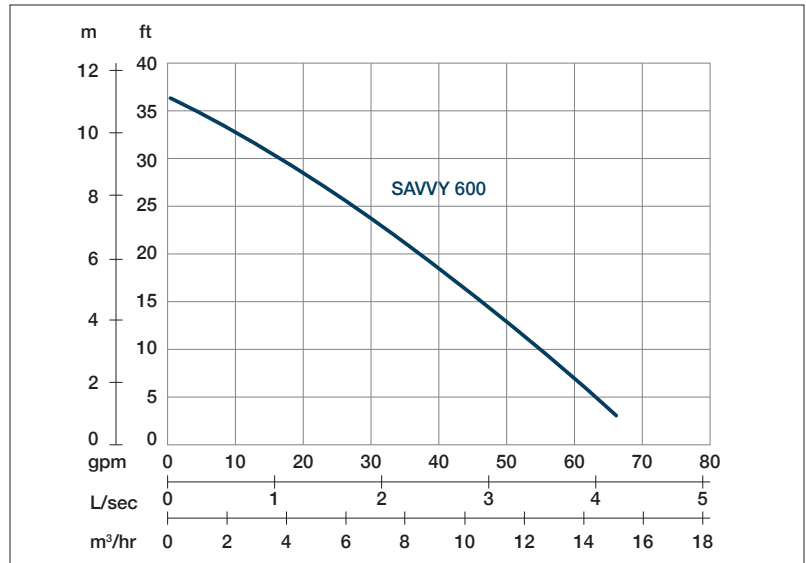
Designed for light weight, excellent performance, low energy consumption, and easy maintenance, PRORIL submersible handy pumps serve a wide range of pumping applications on utility, construction, industrial, and municipal job sites.

**Handy and Residue Pump**

## **SAVVY 600**

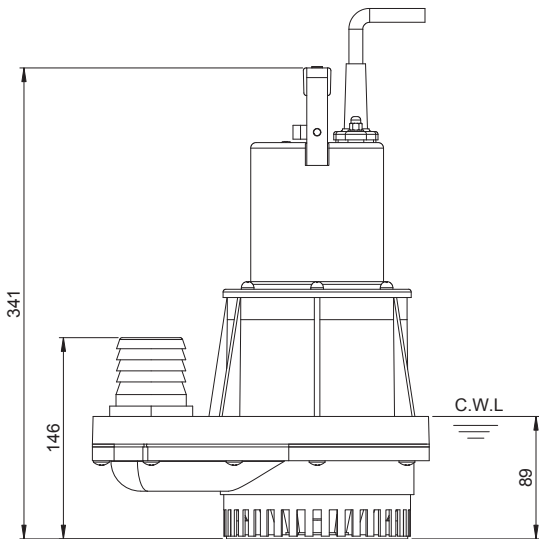
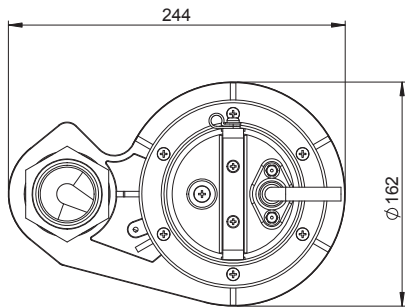
Handy Pump





Shaft Speed : 2850 rpm      Solid Passage : 6 mm      Outlet : 50mm, 2in

OUTPUT	HEAD	FLOW
0.55 kW	Rated : 8m, 26ft	Rated : 1.5 l/s, 24 gpm
0.75 HP	Max : 11m, 36ft	Max : 4.2 l/s, 66 gpm



Weight : 6kg / 13.2 lbs

Pump Type	Electric Submersible Pumps	
	1-Phase	
Motor	Type	Induction Motor
	Poles	2 Pole
	Insulation	Class F
	Protector	Miniature Thermal Protector
	Starter	Capacitor-Run
Lubricant	Food Grade (ISO VG115)	
Impeller Type	Vortex	
Shaft Seal	Single Mechanical Seal	
	Ceramic / Carbon	
Bearings	C3 Shielded ball bearings	
Cable	H07RNF	
	Length: 10m (33ft) or longer upon request.	
Materials	Pump Casing	Plastic
	Impeller	Techno-polymer
	Motor Frame	Stainless Steel
	Motor Shaft	Stainless Steel
	Stainer	Plastic
Max. Liquid Temperature	104°F (40°C)	
Max. Submersion Depth	66ft (20m)	
pH Range	pH 5 - pH 8	