

PRORIL

50 Hz

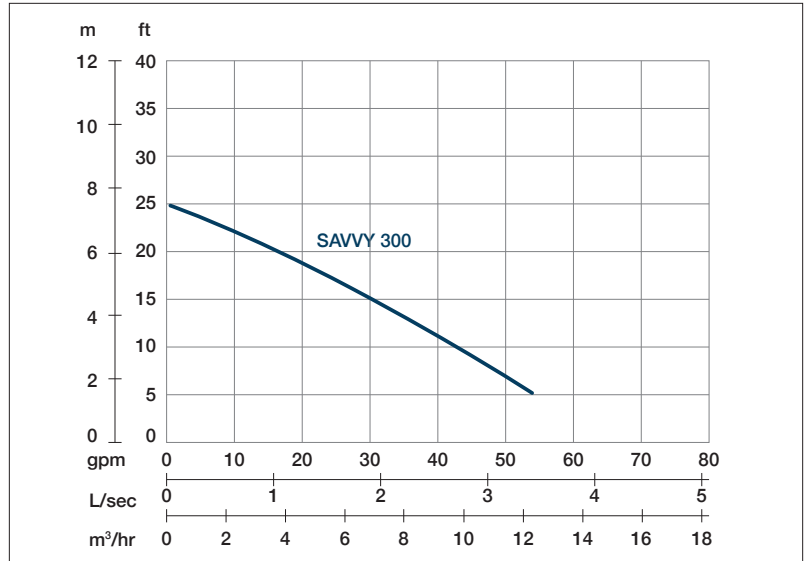
Designed for light weight, excellent performance, low energy consumption, and easy maintenance, PRORIL submersible handy pumps serve a wide range of pumping applications on utility, construction, industrial, and municipal job sites.

Handy and Residue Pump

SAVVY 300

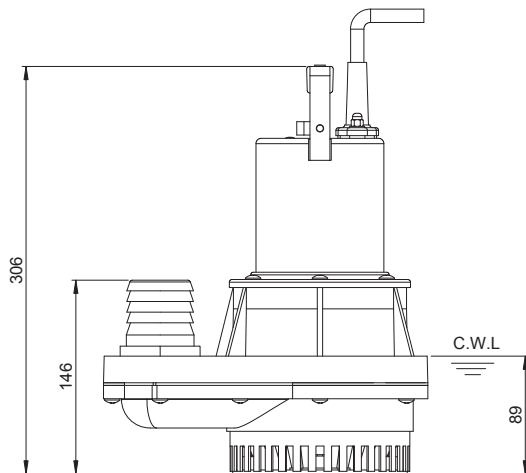
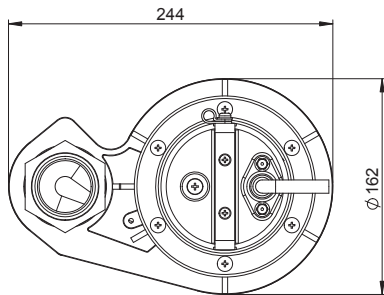
Handy Pump





Shaft Speed : 2850 rpm Solid Passage : 6 mm Outlet : 50mm, 2in

| OUTPUT | HEAD | FLOW |
|---------|------------------|-------------------------|
| 0.25 kW | Rated : 5m, 16ft | Rated : 1.5 l/s, 24 gpm |
| 0.33 HP | Max : 7.5m, 25ft | Max : 3.3 l/s, 53 gpm |



Weight : 4kg / 8.8 lbs

| | | |
|-------------------------|-------------|--|
| Pump Type | | Electric Submersible Pumps |
| | | 1-Phase |
| Motor | Type | Induction Motor |
| | Poles | 2 Pole |
| | Insulation | Class F |
| | Protector | Miniature Thermal Protector |
| | Starter | Capacitor-Run |
| Lubricant | | Food Grade (ISO VG115) |
| Impeller Type | | Vortex |
| Shaft Seal | | Single Mechanical Seal Ceramic / Carbon |
| Bearings | | C3 Shielded ball bearings |
| Cable | | H07RNF Length: 10m (33ft) or longer upon request. |
| Materials | Pump Casing | Plastic |
| | Impeller | Techno-polymer |
| | Motor Frame | Stainless Steel |
| | Motor Shaft | Stainless Steel |
| | Stainer | Plastic |
| Max. Liquid Temperature | | 104°F (40°C) |
| Max. Submersion Depth | | 66ft (20m) |
| pH Range | | pH 5 - pH 8 |